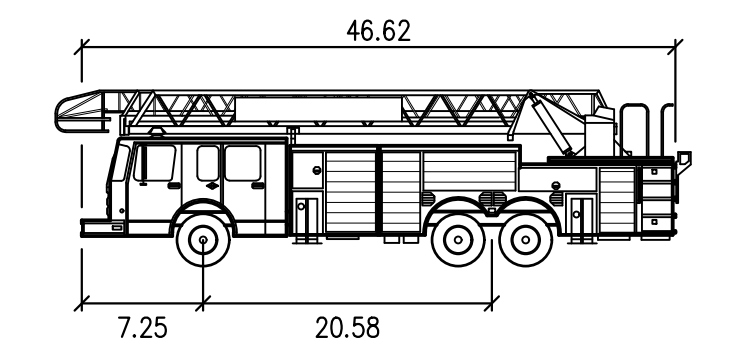
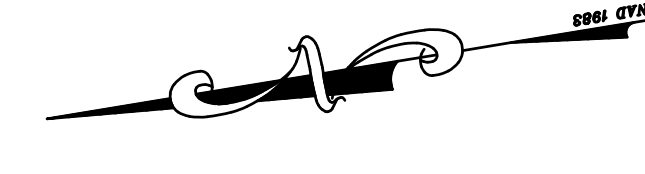
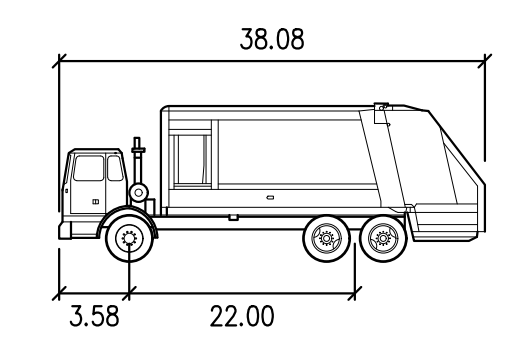


ALL UTILITIES SHOWN BY SCULLO ENGINEERING SERVICES, LLC ARE THE RESULT OF VISUAL SURVEY AND FIELD INVESTIGATION. SCULLO ENGINEERING SERVICES, LLC AND ITS ENGINEERS DO NOT WARRANT OR GUARANTEE THE ACCURACY OF THE INFORMATION PROVIDED HEREON. THE USER OF THIS INFORMATION SHALL BE RESPONSIBLE FOR VERIFYING THE ACCURACY OF THE INFORMATION PROVIDED HEREON. ANY USER WHO RELIES ON THIS INFORMATION WITHOUT WRITTEN PERMISSION OF SCULLO ENGINEERING SERVICES, LLC SHALL BE RESPONSIBLE FOR ANY DAMAGE, LOSSES AND EXPENSES ARISING OUT OF OR RESULTING FROM THE USE OF THIS INFORMATION.



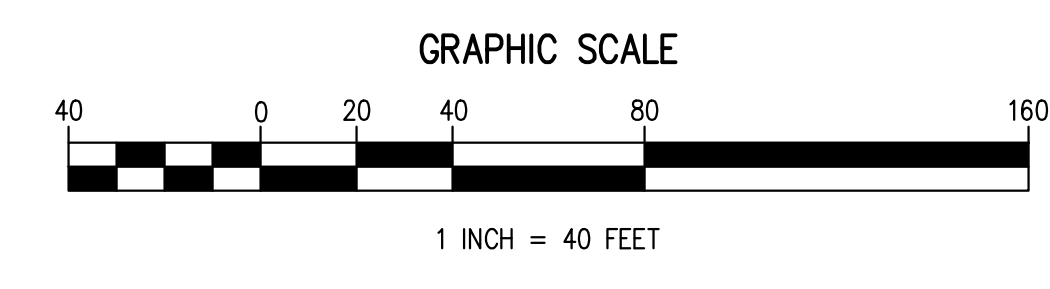
FIRE ENGINE		FEET
WIDTH	:	8.50
TRACK	:	8.50
LOCK TO LOCK TIME	:	6.0
STEERING ANGLE	:	33.3

FIRE TRUCK DETAIL
N.T.S.

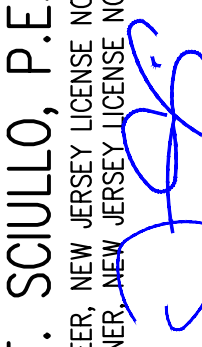


GARBAGE TRUCK		FEET
WIDTH	:	8.00
TRACK	:	8.00
LOCK TO LOCK TIME	:	6.0
STEERING ANGLE	:	27.4

GARBAGE TRUCK DETAIL
N.T.S.



- 811**
Know what's below.
Call before you dig.
- EXISTING UTILITY INFORMATION SHOWN ON THESE PLANS IS FURNISHED BY THE UTILITY COMPANIES AND/OR THE SURVEYOR AND THE ACCURACY THEREOF IS NOT THE RESPONSIBILITY OF SCULLO ENGINEERING SERVICES, LLC. IT IS THE RESPONSIBILITY OF THE OWNERS AND/OR CONTRACTOR TO CALL 1-800-272-1000 FOR FIELD LOCATION OF UNDERGROUND UTILITIES PRIOR TO CONSTRUCTION.
 - THESE PLANS ARE NOT FOR CONSTRUCTION UNTIL "ISSUED FOR CONSTRUCTION" APPEARS IN THE TITLEBLOCK.

JASON T. SCULLO, P.E., P.P.
 PROFESSIONAL ENGINEER, NEW JERSEY LICENSE NO. 2460468000
 PROFESSIONAL PLANNER, NEW JERSEY LICENSE NO. 3300628400

 jts@sculloengineering.com

SCULLO ENGINEERING SERVICES, LLC
 9615 VENTNOR AVENUE, SUITE 3
 MARGATE, NEW JERSEY 08402
 PHONE: (609) 300-5171
 www.sculloengineering.com
 NJ CERTIFICATE OF AUTHORIZATION NO. Z46426280700

CHERRY HILL
 BLOCK 133.01, LOT 1, BLOCK 135.01, LOTS 9 & 10, BLOCK 148.01, LOT 12
 TOWNSHIP OF CHERRY HILL, CAMDEN COUNTY, NEW JERSEY
SERVICE TRUCK TURNING MOVEMENT PLAN
M.B.J. ASSOCIATES, LLC
 2151 ROUTE 70 WEST
 CHERRY HILL TOWNSHIP, NEW JERSEY 08002

DATE	ISSUE NO.	SUBMISSION/REVISION	BY	JTS
2/14/2020	2	RESPONSE TO TOWNSHIP COMPLETENESS REVIEW	LAT	JTS
9/27/2019	1	INITIAL SUBMISSION	LAT	JTS

PROJECT NO: MBJ 001.03
 SCALE: 1" = 40'
 SHEET: 17 OF 24
C2002