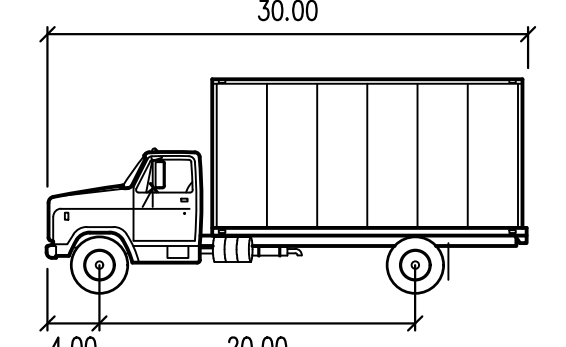


DRAWN BY: J. SCULLO, DATE: 02/14/2020, LAST MODIFIED BY: J. SCULLO, DATE: 02/17/2020
 CHECKED BY: J. SCULLO, DATE: 02/14/2020, LAST MODIFIED BY: J. SCULLO, DATE: 02/17/2020
 PROJECT NO: MBJ 001.03, SHEET NO: 18 OF 24



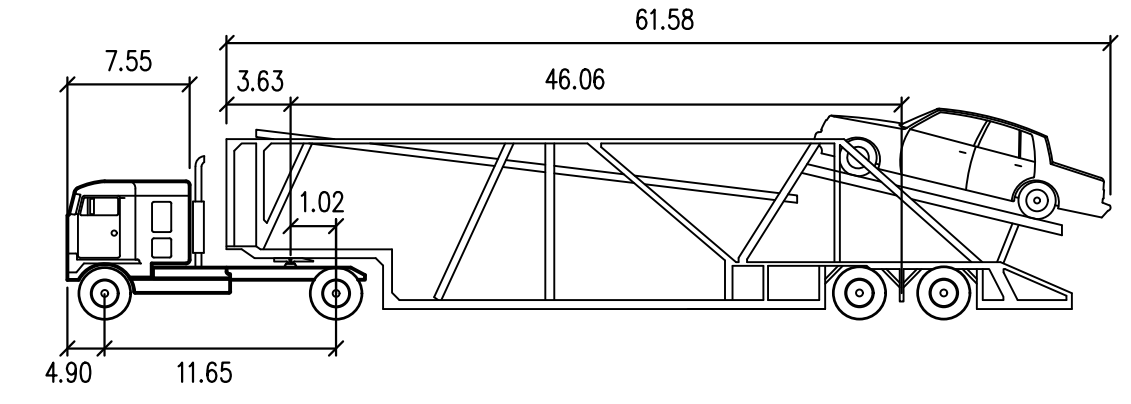
ASHTO CLEAR SIGHT AREA
 BASED ON ASHTO GEOMETRIC DESIGN
 OF HIGHWAY AND STREETS
 EXHIBITS 9-55 CASE B1
 25 MPH DESIGN SPEED

NECESSARY CLEAR SIGHT AREA FOR VEHICLE TURNING FROM HADDONFIELD ROAD



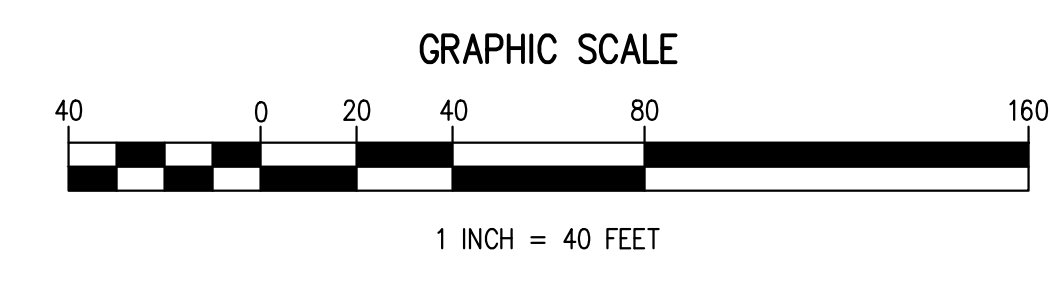
SU-30 FEET
 WIDTH : 8.00
 TRACK : 8.00
 LOCK TO LOCK TIME : 6.0
 STEERING ANGLE : 31.8

DELIVERY TRUCK DETAIL
 N.T.S.



CAR CARRIER FEET
 TRACTOR WIDTH : 8.17
 TRAILER WIDTH : 8.53
 TRACTOR TRACK : 8.17
 TRAILER TRACK : 8.53
 LOCK TO LOCK TIME : 6.0
 STEERING ANGLE : 16.5
 ARTICULATING ANGLE : 70.0

CAR CARRIER TRUCK DETAIL
 N.T.S.



811
 Know what's below.
 Call before you dig.

1. EXISTING UTILITY INFORMATION SHOWN ON THESE PLANS IS FURNISHED BY THE UTILITY COMPANIES AND/OR THE SURVEYOR AND THE ACCURACY THEREOF IS NOT THE RESPONSIBILITY OF SCULLO ENGINEERING SERVICES, LLC. IT IS THE RESPONSIBILITY OF THE OWNERS AND/OR CONTRACTOR TO CALL 1-800-272-1000 FOR FIELD LOCATION OF UNDERGROUND UTILITIES PRIOR TO CONSTRUCTION.

2. THESE PLANS ARE NOT FOR CONSTRUCTION UNTIL "ISSUED FOR CONSTRUCTION" APPEARS IN THE TITLEBLOCK.

SCULLO ENGINEERING SERVICES, LLC
 9618 VENTNOR AVENUE, SUITE 3
 MARGATE, NEW JERSEY 08402
 PHONE: (609) 300-5171
 www.sculloengineering.com
 NJ CERTIFICATE OF AUTHORIZATION NO. 2464628280700

JASON T. SCULLO, P.E., P.P.
 PROFESSIONAL ENGINEER, NEW JERSEY LICENSE NO. 246E04686000
 PROFESSIONAL PLANNER, NEW JERSEY LICENSE NO. 33000628400
 jts@sculloengineering.com

CHERRY HILL
 BLOCK 133.01, LOT 1, BLOCK 135.01, LOTS 9 & 10, BLOCK 148.01, LOT 12
 TOWNSHIP OF CHERRY HILL, CAMDEN COUNTY, NEW JERSEY

TRUCK TURNING MOVEMENT PLAN

M.B.J. ASSOCIATES, LLC
 2151 ROUTE 70 WEST
 CHERRY HILL TOWNSHIP, NEW JERSEY 08002

DATE	ISSUE NO.	DESCRIPTION	BY	APPR.
2/14/2020	2	RESPONSE TO TURNING COMPLETENESS REVIEW	LAT	JTS
2/17/2020	1	INITIAL SUBMISSION	LAT	JTS

PROJECT NO: MBJ 001.03
 SCALE: 1" = 40'
 SHEET: 18 OF 24
C2001